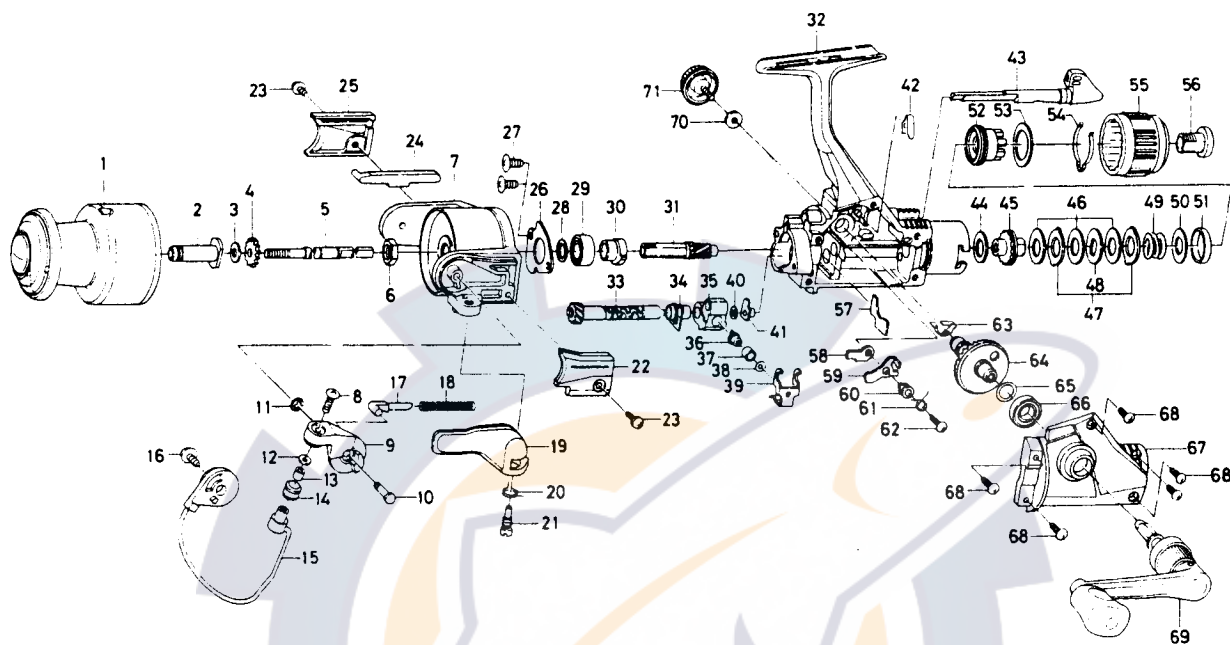


# SPINNING REEL — PM1355



**Key**

No.	Part No.	Part Name	Price
1	F06-5002	Spool assembly	11.00
2	F05-8101	Spool metal	2.10
3	374-6400	Spool washer	.40
4	E13-1201	Main shaft washer	.90
5	F05-7201	Main shaft	2.80
6	341-9201	Rotor nut	.55
7	E36-8004	Rotor	5.90
8	B67-9304	Line roller screw	.40
9	E36-9501	Bail arm	1.65
10	E36-9601	Bail arm screw	1.40
11	320-5901	Bail arm screw retainer	.50
12	B55-4301	Line roller washer	.40
13	B45-1501	Line roller bushing	.60
14	250-3921	Line roller	.90
15	E49-2301	Bail assembly	4.50
16	E00-7101	Bail trip cam screw	.45
17	E36-4401	Bail spring shaft	.70
18	E39-0601	Bail spring	.60
19	E36-9801	Trigger lever	2.70
20	E36-9901	Trigger spring	.70
21	E41-7801	Trigger screw	1.15
22	E36-9702	Bail spring cover	1.65
23	E36-4202	Bail spring cover screw	.60
24	E36-5002	Bail trip lever	1.40
25	E36-5105	Bail trip cover	1.40
26	F05-7101	Bearing retainer	.55
27	E03-7801	Bearing retainer screw	.60
28	375-8503	Bearing washer	.60
29	L03-6601	Ball bearing A	6.80
30	F03-7501	Anti-reverse ratchet	1.10
31	E41-700*	Pinion gear	5.15
32	F16-1501	Body assembly	17.85
33	F12-4001	Worm shaft	6.60
34	F08-7101	Worm shaft bush	.95
35	F05-6401	Oscillating slider	3.20
36	E19-1202	Oscillating pawl	4.55

**Key**

No.	Part No.	Part Name	Price
37	E19-1301	Oscillating pawl bush	3.10
38	375-0800	Oscillating pawl washer	.40
39	F05-7301	Oscillating slider cover	1.40
40	B53-6100	Worm shaft washer	.35
41	F05-6901	Worm shaft collar	.95
42	E26-8701	Anti-reverse cam spring	.60
43	F05-9903	Anti-reverse lever	2.40
44	B48-9904	Drag washer A	.45
45	F09-6501	Click gear	1.40
46	B49-0202	Drag washer B	.60
47	B49-0102	Eared washer	.40
48	B49-0301	Key washer	.45
49	F06-2301	Drag coil spring	.95
50	372-7601	Drag screw washer A	.55
51	F12-4401	Drag screw collar	.70
52	F05-7501	Drag screw	3.20
53	E49-5001	Drag screw washer B	.70
54	F05-9701	Drag washer spring	.70
55	F06-4901	Drag knob	2.65
56	F05-7801	Drag knob screw	1.45
57	F08-7201	Shield plate	.50
58	B95-9301	Anti-reverse pawl plate	.70
59	E27-1301	Anti-reverse pawl	1.15
60	B95-9501	Anti-reverse pawl collar	.95
61	B95-9602	Anti-reverse pawl spring A	.60
62	B00-8601	Anti-reverse pawl screw	.35
63	E24-5301	Anti-reverse pawl spring B	1.60
64	F00-7101	Drive gear	3.70
65	375-8501	Drive gear washer	.45
66	634-1301	Ball bearing B	6.95
67	F13-7301	Side cover	7.50
68	E15-8602	Side cover screw	.60
69	E41-7901	Handle assembly	7.75
70	F02-0201	Handle lock washer	.35
71	F03-5601	Handle lock screw	1.65